



- * Stainless Steel Hose
- * Composite Hose

ATECO BEND MASTER

www.ateco.com.tr



Drain Systems for Floating Roof Tanks
ATECO BEND MASTER

ATECO Drain Systems offer proven technology, maintenance free, easy to install floating roof drains. All you need to do is fill in and fax to us our standard ATECO Tank Drain Data Sheet and we will provide installation drawings for you.

The ATECO Drain System is easy to install in any tank. Each drain line requires just a 500mm wide corridor to operate in, between sump and shell nozzles. In tanks above 60m diameter, it is advisable for safety reasons, to fit more than one drain. This can easily be done with the ATECO Drain System. As many as 5 lines have previously been fitted to one large crude oil storage tank.

ATECO Drain advantages over swivel joint drains:

Conventional Swivel joint drains will eventually leak and require periodic maintenance. Tank cleaning costs are extremely expensive. ATECO Drain joints will give a maintenance free life of more than 15 years. Only 4 ATECO Drain joints/line are required. This makes a ATECO Drain much cheaper, simpler, lighter and easier to install.



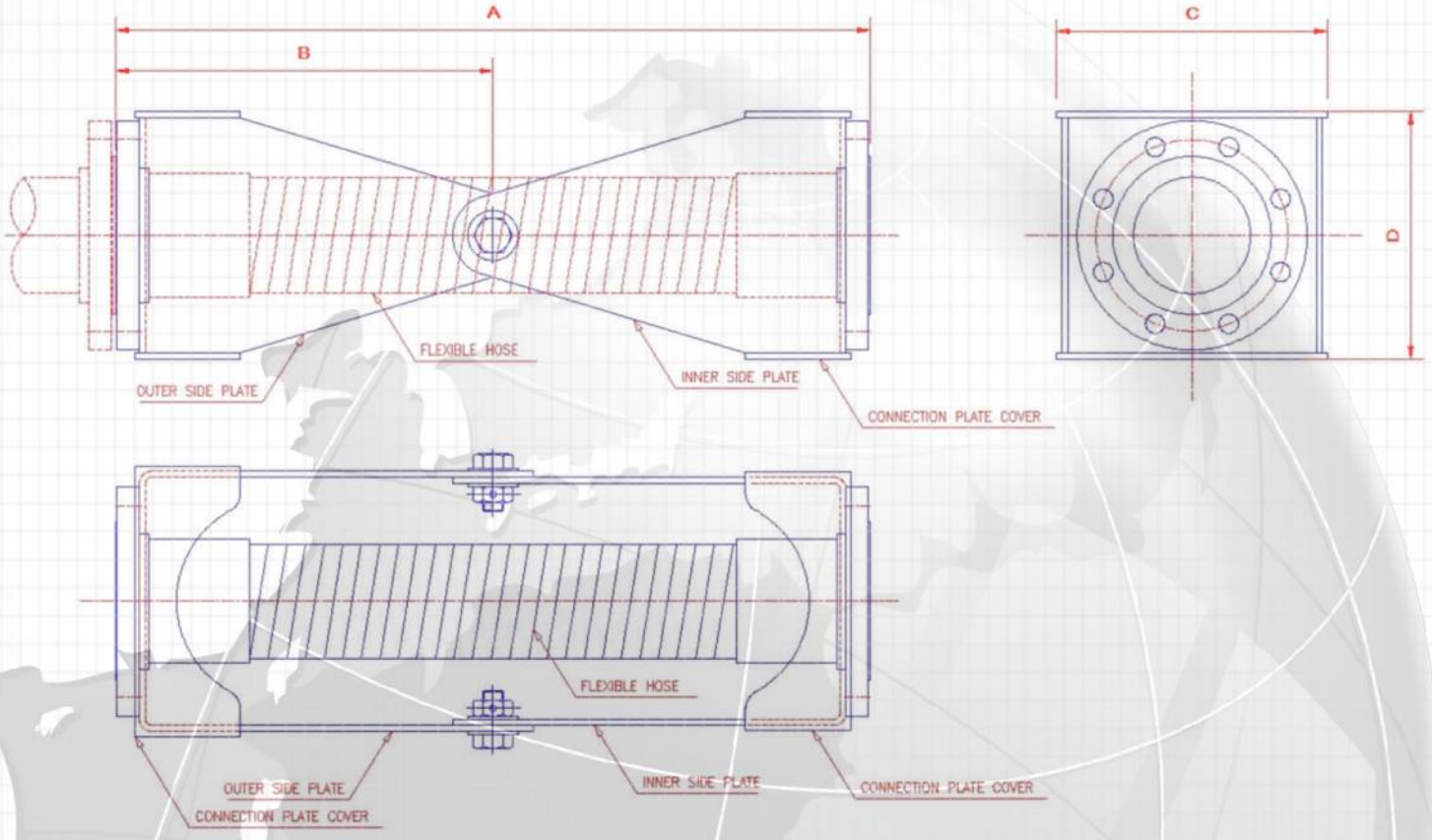
ATECO Drain advantages over hose drains:

All types of drain hoses have problems from time to time interfering with floating roof landing legs. This results in premature drain failure. Drain hoses can have problems with their own buoyancy, they must be very heavy to overcome their own displaced weight. ATECO Drains will always remain within the same narrow operating corridor and will never interfere with landing legs because of the fixed geometry of the ATECO Drain system.





Drain Systems for Floating Roof Tanks
ATECO BEND MASTER

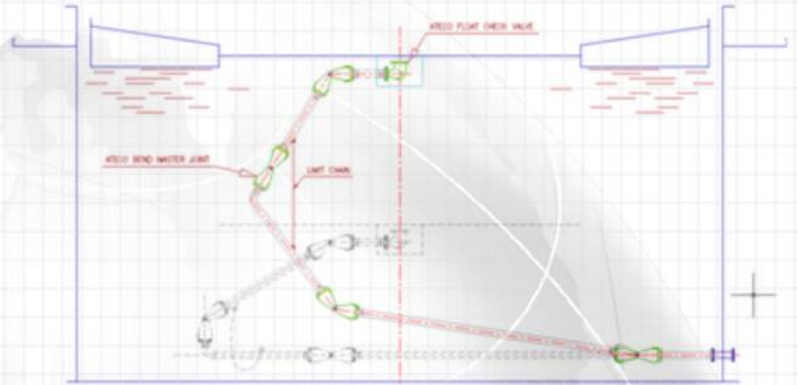


DIMENSIONAL AND DESIGN DATA

PART NO	SIZE	A	B	C	D	SET OF 4 JOINTS WT KG	SET OF 4 JOINTS VOL. M3	OPERATING TEMP °C	MAXIMUM PRESSURE
ABM300	3"	620	310	228	195	132	0,28	-40°C +100°C	10,6 Kg/cm ²
ABM400	4"	750	375	268	235	194	0,42	-40°C +100°C	10,6 Kg/cm ²
ABM600	6"	950	475	362	312	420	0,78	-40°C +100°C	10,6 Kg/cm ²
ABM800	8"	1300	650	426	385	680	1,46	-40°C +100°C	10,6 Kg/cm ²



Drain Systems for Floating Roof Tanks **ATECO BEND MASTER**



Materials:

The Standard **ATECO** Drain Joint hose is constructed from layers of polypropylene and polyester film and fabric. Hoses have 316 stainless steel inner and outer wires and are swaged to carbon steel tail pieces with ANSI 150# RF flanges. Flanges can also be in stainless steel or in carbon steel, epoxy painted. The ATECO Drain Joint pivot assembly is stainless steel with main side plates either standard galvanised or stainless steel.

ATECO Tank Products include:

- Aluminium Internal Floating Roofs
- Floating Roof Tank Seals
- Floating Roof Tank Drain Systems
- Floating Roof Tank Fire Foam Systems
- Floating Suction Lines & Skimmers
- Floating Suction Swing Joints 4" to 30"

