



**ROOF DRAIN SYSTEMS**

**DUAL FLAP WAFER CHECK VALVE**



# THE SOLUTION BEST SUITED TO YOUR EXTERNAL FLOATING ROOF DRAIN SYSTEMS

## ROOF DRAIN DUAL FLAP WAFER CHECK VALVE

### Main Features

**Dual Flap Wafer Check Valve** is designed to operate with the minimum of flow restriction. The twin spring loaded half disc operate with the Roof Drain System water flow and reseal back against the rubber disc seating providing a positive shut off against any back flow. The resilient seating prevent a slamming action.

**Check Valves** offer greater flexibility and low cost in most Drain System and moreover, of its light weight, it is so convenient to install and has smaller face to face dimension than conventional swing check valve.

These valves can be supplied to match the international standards of flange (DIN, ANSI, JIS & BS).

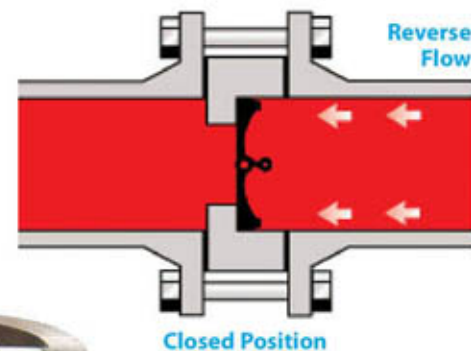
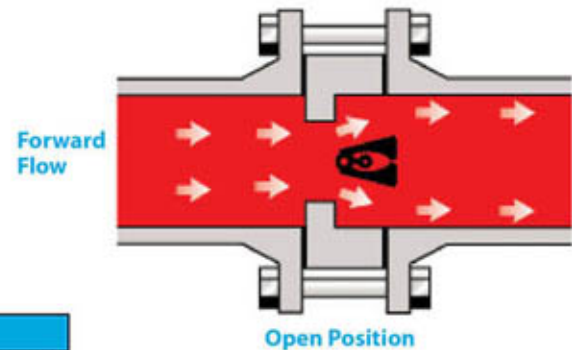
**Check Valves** when compared with other traditional isolating valve such as swing check valve offer the following advantages:

- Low purchase cost
- Compact design
- Non-slam principle of operation
- Light weight
- Easy installation
- Good flow characteristic and less pressure drop
- Suitable for horizontal and vertical up flow



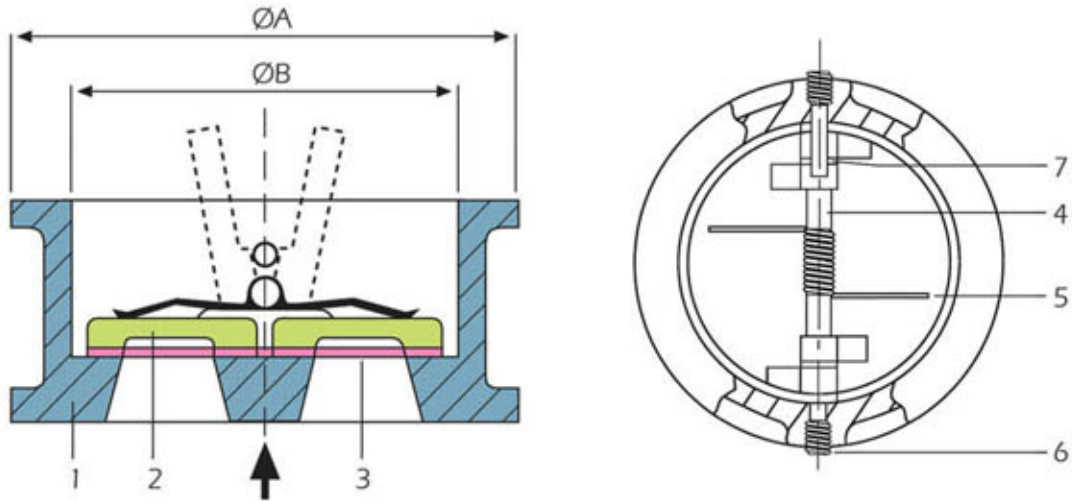
MAXIMUM NON-SHOCK SERVICE PRESSURE	50 - 300 mm
SEAT OPENING PRESSURE (MBAR)	12
SEAT TEST PRESSURE (BAR)	13.7
SHELL TEST PRESSURE (BAR)	20

DIMENSIONAL OF GASKET											
VALVE SIDE	mm	50	65	80	100	125	150	200	250	300	
	INS	2"	2-1/2"	3"	4"	5"	6"	8"	10"	12"	
O.D.	Refer to valve external diameter ØA										
I.D.	mm	60	73	90	115	142	169	219	273	324	





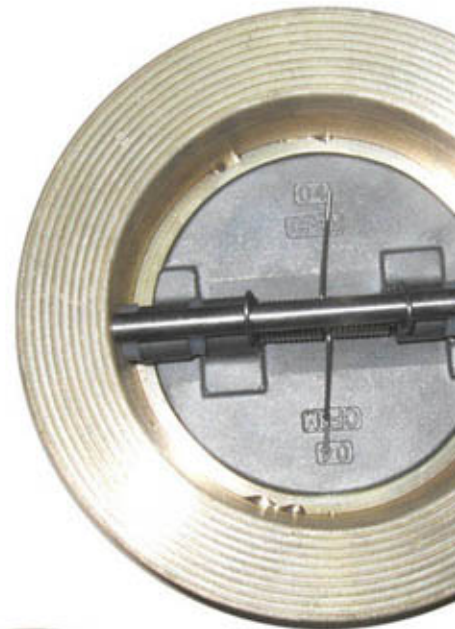
# THE SOLUTION BEST SUITED TO YOUR EXTERNAL FLOATING ROOF DRAIN SYSTEMS



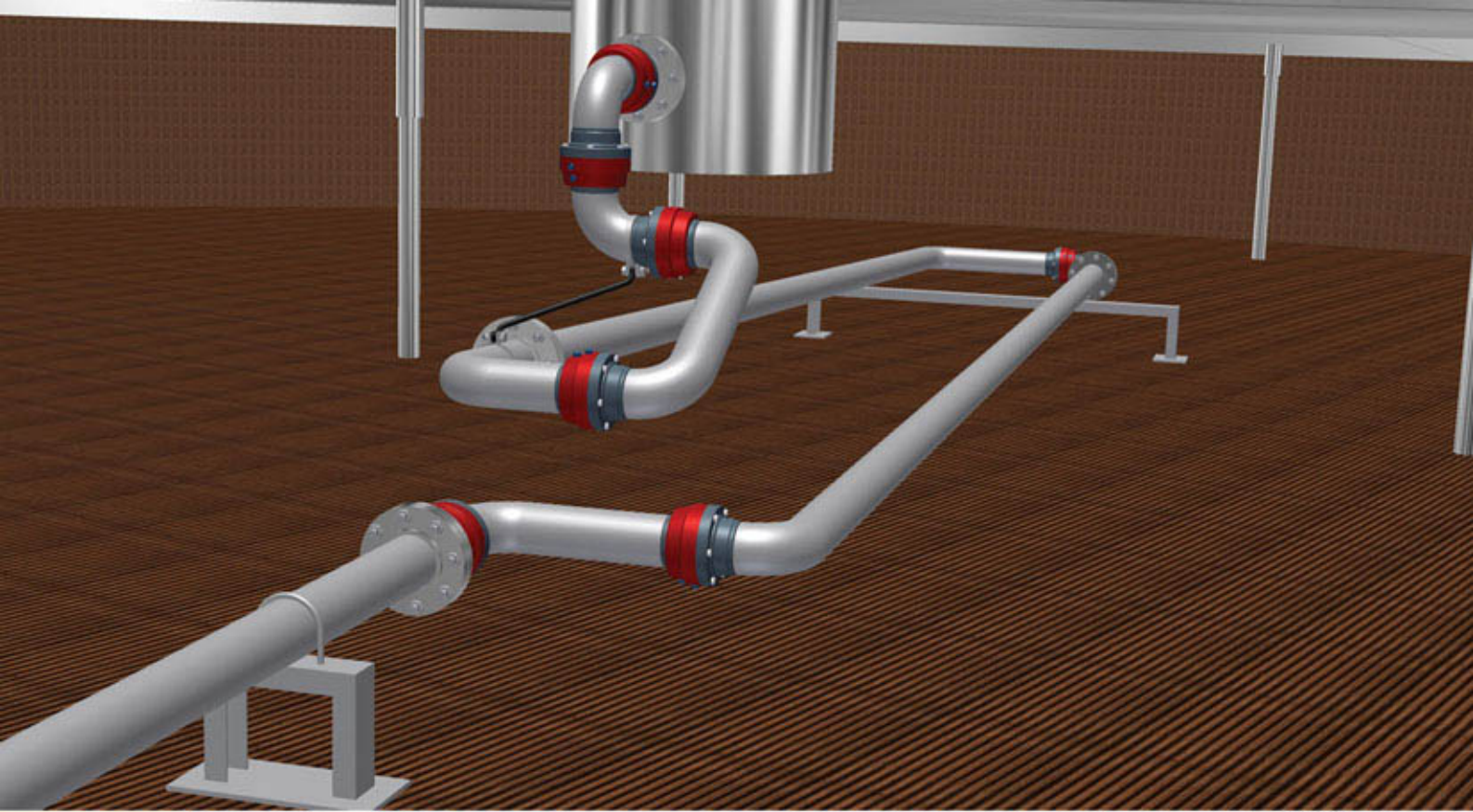
No	MATERIAL	CV 20	CV 25	CV 30
1	Body	Cast iron GG 25	AISI 316	Brass
2	Disc	AISI 316	AISI 316	AISI 316
3	Resilient seat	EPDM	EPDM	Viton
4	Hinge pin	AISI 316	AISI 316	AISI 316
5	Spring	AISI 304	AISI 304	AISI 304
6	Retainer screw	Stainless Steel	Stainless Steel	Stainless Steel
7	Disc bearing	Teflon	Teflon	Teflon

Other materials except above are available on request.

NOMINAL PIPE SIZE		EXTERNAL DIAMETER ØA	INTERNAL DIAMETER	FACE TO FACE	MAXIMUM WORKING PRESSURE	MAXIMUM WORKING TEMP.
		DIN STANDARD				
mm	INS	mm	mm	mm	BAR (10°C)	°C
50	2"	109	60	54	16	110
65	2-1/2"	129	73	54	16	110
80	3"	144	90	57	16	110
100	4"	164	115	64	16	110
125	5"	194	142	70	16	110
150	6"	220	169	76	16	110
200	8"	275	219	95	16	110
250	10"	330	273	108	16	110
300	12"	380	324	144	16	110







Geodesic  
Dome Roof

Internal  
Floating Roof

Floating  
Roof Seal

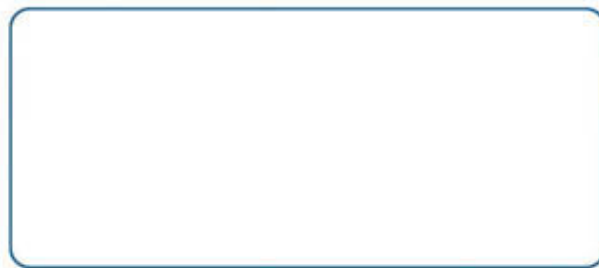
Floating  
Suction System

Roof  
Drain System

Emission  
Control Systems

Special  
Products

Engineering



**ATECO TANK TECHNOLOGIES ENGINEERING CO.LTD.**

Yeni Mh. Basöğretmen Cd. Dostluk Okulu Karşısı Yazlık - Gölçük - Kocaeli - TURKEY

Tel: +90 262 335 15 98-99 Fax: +90 262 335 15 67

[info@ateco.com.tr](mailto:info@ateco.com.tr) - [www.ateco.com.tr](http://www.ateco.com.tr)