



ROOF DRAIN SYSTEMS

FLOAT CHECK VALVE



THE SOLUTION BEST SUITED TO YOUR EXTERNAL FLOATING ROOF DRAIN SYSTEMS

ROOF DRAIN FLOAT CHECK VALVE

The unique ATECO's Float Check Valve is operated in line with roof drain systems to prevent a possible overflow product from floating roof tank at the time of drain leakage situation. Whether drain line cause leakage, the valve closes automatically inside of drain sump and prevent oil flow from the tank.

Advantages

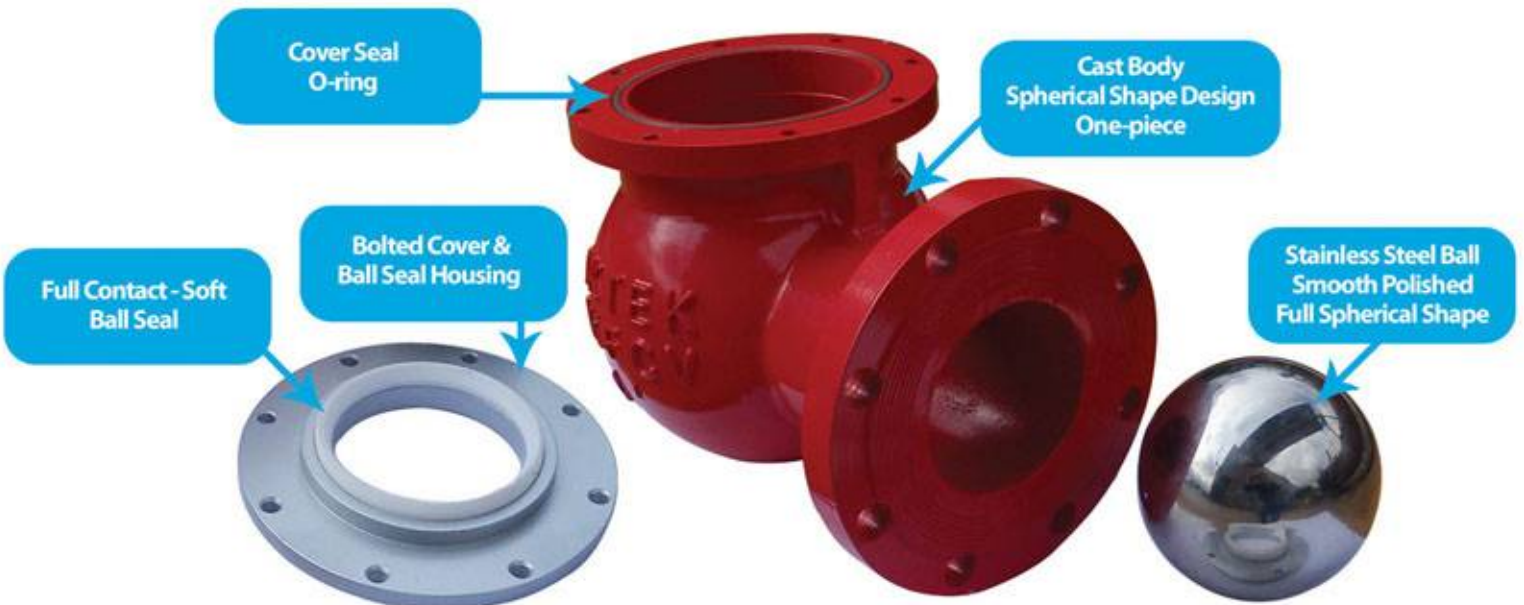
- * Seals at Low Differential Pressures.
- * Stainless Steel Construction.
- * No Mechanical Moving Parts to Corrode or Get Stuck.
- * No Drop in Flow Rates.

Detail Description

1. ATECO Float Check Valve is designed to operate inside of the drain sump in connection with complete drainage systems on the tank.
2. When the stainless ball floats inside of the valve, the drain systems will be closed. So, it prevents overflow product of the drain system to keep oil spillage on the floating tank.

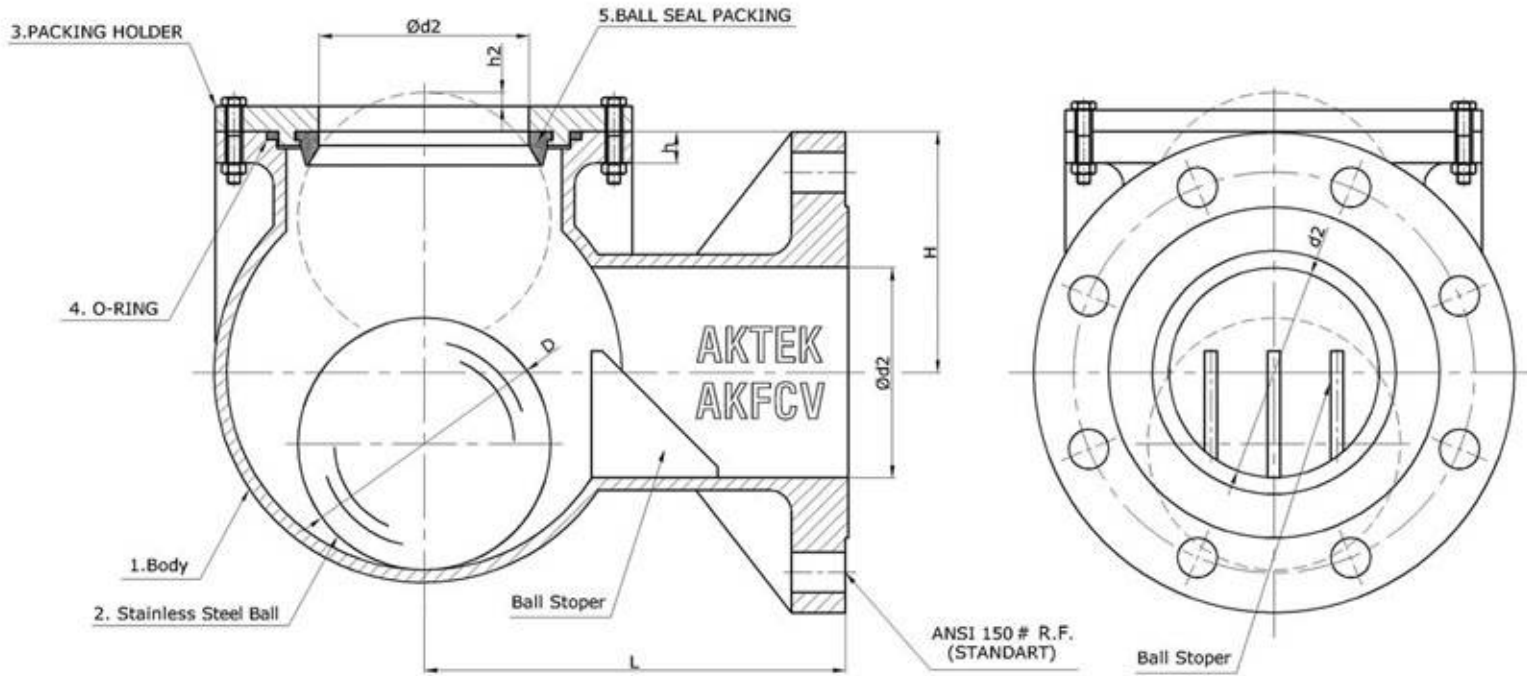


Model No	Size (mm/Inch)	Weight	Material (house+ball)	Remarks
AFCV80	DN80 / 3"	30 kg	Cast Iron / Stainless Steel	Viton Seal
AFCV100	DN100 / 4"	35 kg	Cast Iron / Stainless Steel	Viton Seal
AFCV150	DN150 / 6"	45 kg	Cast Iron / Stainless Steel	Viton Seal
AFCV200	DN200 / 8"	65 kg	Cast Iron / Stainless Steel	Viton Seal
AFCV250	DN250 / 10"	80 kg	Cast Iron / Stainless Steel	Viton Seal
AFCV300	DN300 / 12"	95 kg	Cast Iron / Stainless Steel	Viton Seal



THE SOLUTION BEST SUITED TO YOUR EXTERNAL FLOATING ROOF DRAIN SYSTEMS

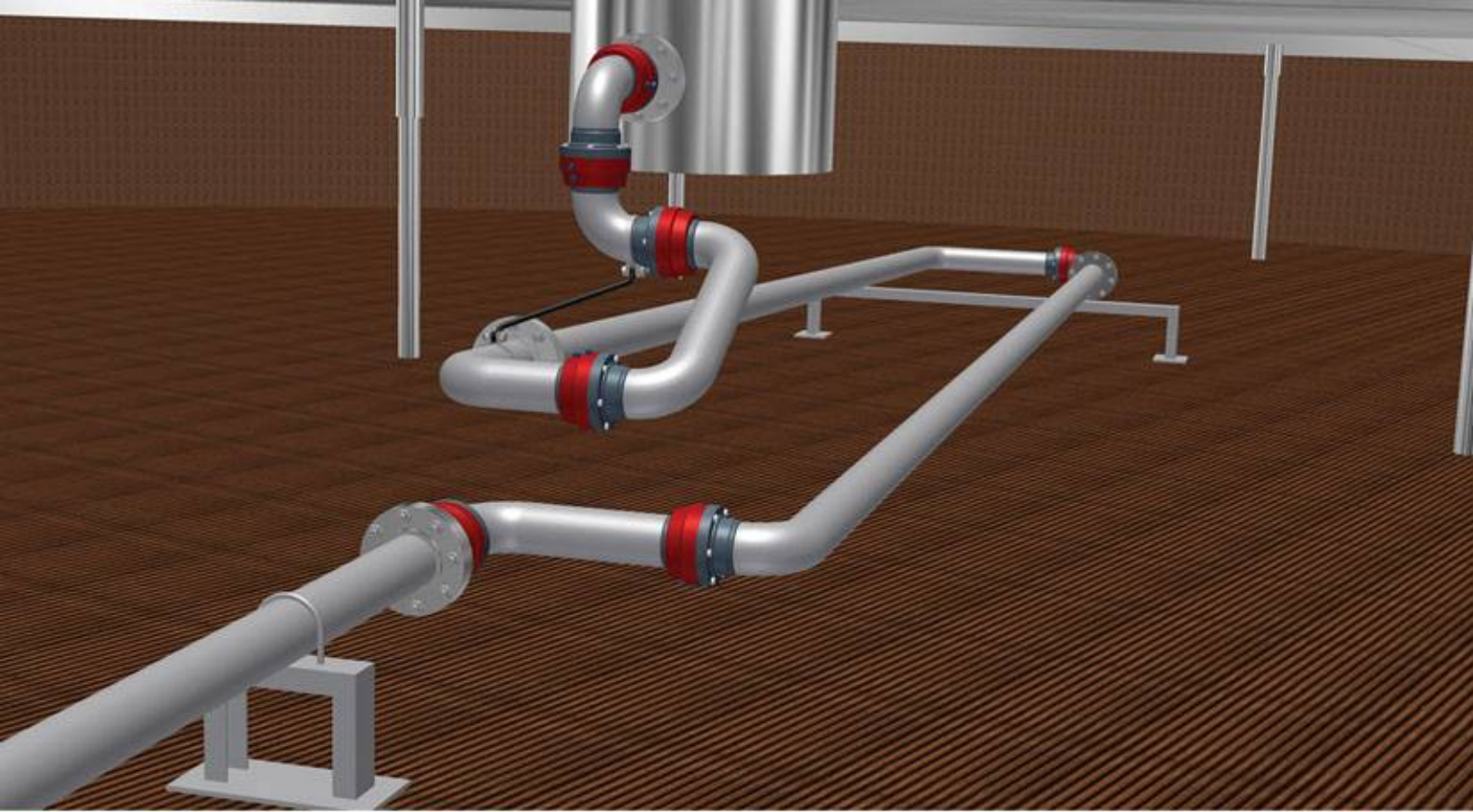
Dimensions



Model No	Size	D1	D2	Packing Holder			L	H	D	h	H2
				O.D.	B.C.D.	STUD BOLT					
AFCV80	DN80 / 3"	80	80	170	150	4-M10	180	115	90	22	
AFCV100	DN100 / 4"	100	100	190	170	4-M10	200	115	120	22	
AFCV150	DN150 / 6"	150	150	265	240	8-M12	250	160	150	26	6.3
AFCV200	DN200 / 8"	200	200	315	290	8-M12	300	250	200	26	24.2
AFCV250	DN250 / 10"	250	250	380	355	8-M12	350	310	300	26	33.1
AFCV300	DN300 / 12"	300	300	420	420	8-M12	400	360	350	26	50.9

Dimensions is millimeter





Geodesic
Dome Roof

Internal
Floating Roof

Floating
Roof Seal

Floating
Suction System

Roof
Drain System

Emission
Control Systems

Special
Products

Engineering



ATECO TANK TECHNOLOGIES ENGINEERING CO.LTD.

Yeni Mh. Basöğretmen Cd. Dostluk Okulu Karşısı Yazlık - Gölçük - Kocaeli - TURKEY

Tel: +90 262 335 15 98 - 99 Fax: +90 262 335 15 67

info@ateco.com.tr - www.ateco.com.tr