

INSTALL 1/4" SCREW
(Every 200 mm Along Length Of Girder)

GIRDER CAP CHANNEL

1430.00 (Center to Center Distance Between Girders)

GIRDER CAP CHANNEL

INSTALL 1/4" SCREW
(Every 200 mm Along Length Of Girder)

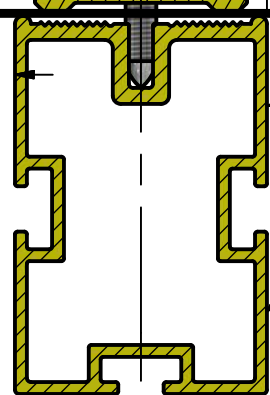
DECK SHEETING

10.00

10.00

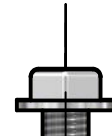
10.00

DECK SHEET



MAIN GIRDER

INSTALL 1/4" SCREW
(Every 200 mm Along Length Of Girder)



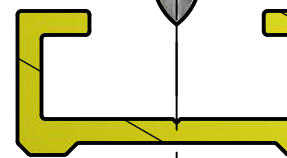
GIRDER CAP CHANNEL

MAIN GIRDER

DECK SHEET SECTION

GIRDER CAP CHANNEL

DECK SHEET



DECK SHEET

DECK SHEET (0.5 mm)

10.00

10.00

70.00

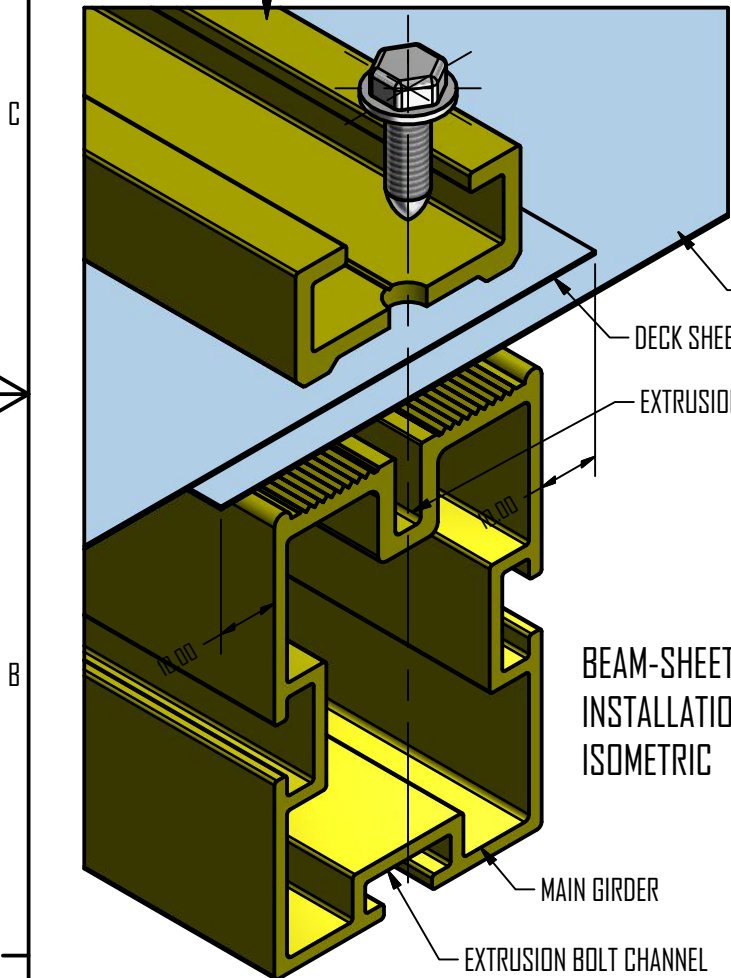
MAIN GIRDER

INSTALL 1/4" SCREW
(Every 200 mm Along Length Of Girder)

EXTRUSION SCREW CHANNEL

10.00

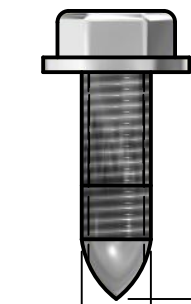
10.00



BEAM-SHEET
INSTALLATION
ISOMETRIC

MAIN GIRDER

EXTRUSION BOLT CHANNEL



SHEET SCREW

20.00

1/4"

SHEET-BEAM INSTALLATION SECTION

GIRDER CAP CHANNEL

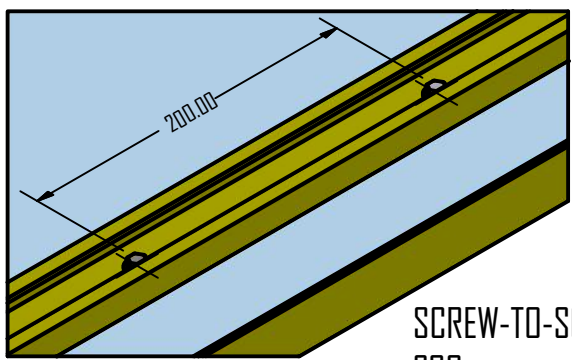
10.00

10.00

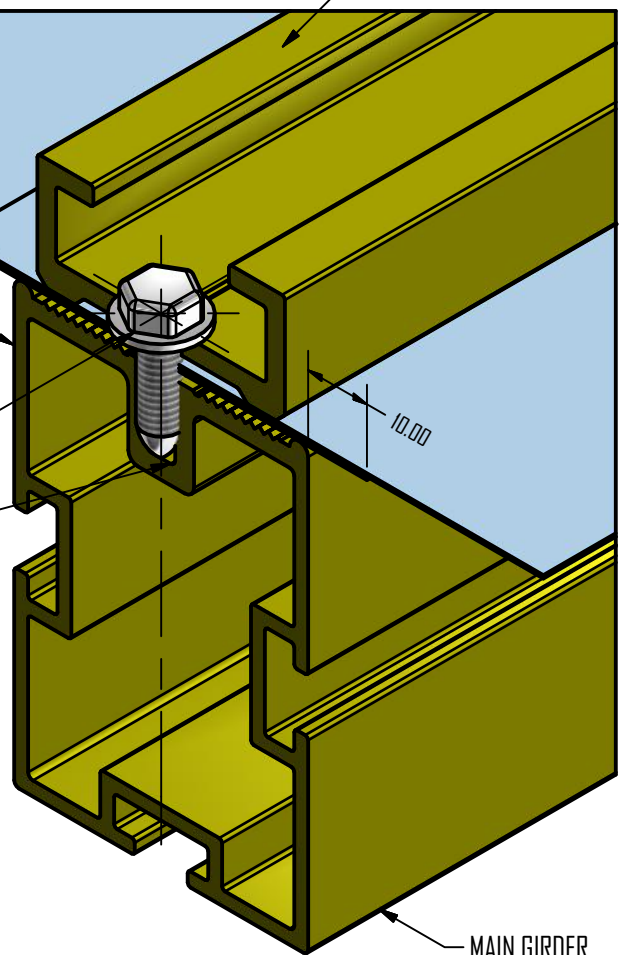
DECK SHEET

MAIN GIRDER

BEAM-SHEET
INSTALLATION



SCREW-TO-SCREW
200 mm



BEAM-SHEET-CLAMP INSTALLATION

MAIN GIRDER

INSTALL 1/4" SCREW
(Every 200 mm Along Length Of Girder)

GIRDER CAP CHANNEL

10.00

10.00

MAIN GIRDER

BEAM SCREWING

				THIS DRAWING IS THE PROPERTY OF ATECO. IT IS NOT TO BE TRACED, COPIED OR PUBLISHED WITHOUT THEIR WRITTEN CONSENT OR TO BE MISUED IN ANY WAY.			
				ENGINEERING NO	OFFER NO	DRAWN BY	DATE
				PROJECT NO	ZONE NO	CHECKED BY	DATE
				JOB NO	TANK LOCATION	REVISION NO	SCALE
				TANK SIZE	TANK NO	INDEX NO	FORMAT
CUSTOMER			STANDARD DRAWING		REFERENCE NO		
TITLE			ATECO ALUMAX ULTRA 2000		DRAWING NO		
			INTERNAL FLOATING ROOF				

ALL DIMENSIONS SHOWN ARE NOMINAL AND IN MILLIMETERS, UNLESS NOTED OTHERWISE