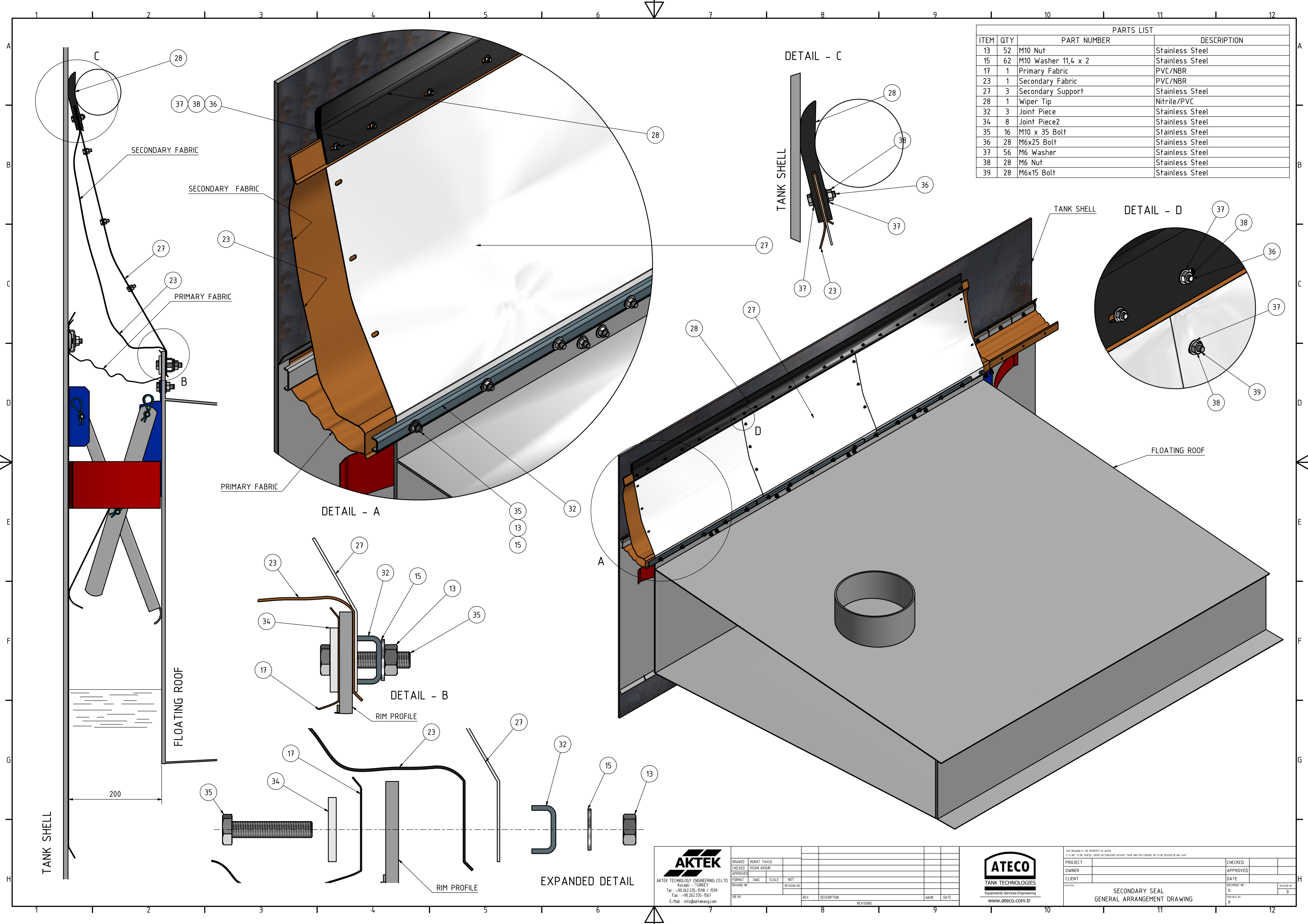


PARTS LIST			
ITEM	QTY	PART NUMBER	DESCRIPTION
13	52	M10 Nut	Stainless Steel
15	62	M10 Washer 11,4 x 2	Stainless Steel
17	1	Primary Fabric	PVC/NBR
23	1	Secondary Fabric	PVC/NBR
27	3	Secondary Support	Stainless Steel
28	1	Wiper Tip	Nitrile/PVC
32	3	Joint Piece	Stainless Steel
34	8	Joint Piece2	Stainless Steel
35	16	M10 x 35 Bolt	Stainless Steel
36	28	M6x25 Bolt	Stainless Steel
37	56	M6 Washer	Stainless Steel
38	28	M6 Nut	Stainless Steel
39	28	M6x15 Bolt	Stainless Steel



AKTEK
 AKTEK TECHNOLOGY ENGINEERING COLTD
 Kocaeli - TURKEY
 Tel : +90 262 335 1598 / 1599
 Fax : +90 262 335 1587
 E-Mail : info@aktekeng.com

DRAWN	MURAT YAVUZ				
CHECKED	HISAN AKGUN				
APPROVED					
FORMAT	DWG	SCALE	NOT		
DRAWING NO		REVISION NO			
REV	DESCRIPTION	REVISIONS	NAME	DATE	

ATECO
 TANK TECHNOLOGIES
 Equipment-Service Engineering
 www.ateco.com.tr

PROJECT		CHECKED	
OWNER		APPROVED	
CLIENT		DATE	
SECONDARY SEAL		ISSUE NO	X
GENERAL ARRANGEMENT DRAWING		REVISION NO	0